



INSTRUCTION BULLETIN

No. 9006156
Machine: S20
Published: 01-2010
Rev. 00

NOTE: DO NOT DISCARD the Parts List from the Instruction Bulletin. Place the Parts List in the appropriate place in the machine manual for future reference. Retaining the Parts List will make it easier to reorder individual parts and will save the cost of ordering an entire kit.

NOTE: Numbers in parenthesis () are reference numbers for parts listed in Bill of Materials.

Installation instructions for **kit number 9006158**

SYNOPSIS:

This kit contains the parts needed to replace / install seat belts on S20 machines.
Please follow step-by-step instructions.

SPECIAL TOOLS / CONSIDERATIONS: NONE

(Estimated time to complete: 30 minutes)

PREPARATION:

1. Park the machine on a clean level surface, turn off the machine, remove the key, and set the parking brake.

FOR SAFETY: Before leaving or servicing machine, stop on level surface, turn off machine, and remove key.

2. Disconnect the battery cables from the battery.



WARNING: Always disconnect battery cables from machine before working on electrical components.

INSTALLATION:

1. Remove the operator seat from the main cover. Set the seat and the four flat washers and hex nuts aside. Discard the four hex screws.
2. Disconnect the main harness from the operator seat switch.
3. Use the two hex screws (3) and two hex nuts (4) to install the seat belts (1) onto the seat belt mounting plate (2). Refer to Fig. 1.
4. Route the main harness through the hole in the seat belt mounting plate (2) and reattach the main harness to the operator seat switch.
5. Use the four hex screws (5) and the saved hardware to install the operator seat and seat belt mounting plate (2) onto the main cover. Refer to Fig. 1.
6. Reattach the battery cables to the battery.

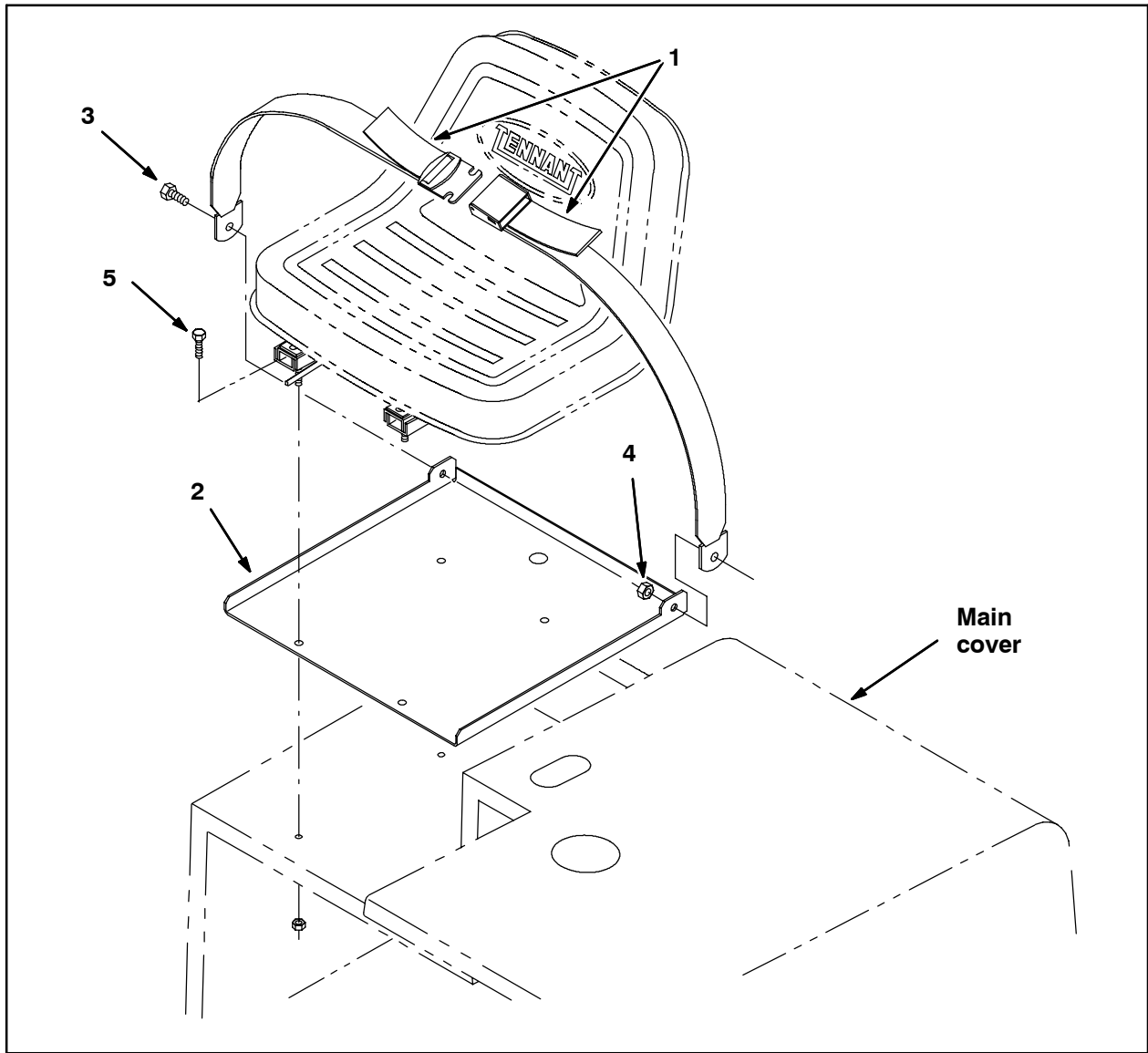


FIG. 1

Bill of Materials for Seat Belt Kit, CI [S20] - 9006158

Ref.	Tennant Part No.	Description	Qty.
▽	9006158	Seat Belt Kit, CI [S20]	1
▲	1	30533 Seat Belt, 60.0L	1
▲	2	1052656 Plate, Mtg, Seat Belt	1
▲	3	06961 Screw, Hex, M10 X 1.50 X 20, 8.8	2
▲	4	41430 Nut, Hex, Lock, M10 X 1.5, NL	2
▲	5	06955 Screw, Hex, M8 X 1.25 X 35, 8.8	4

TENNANT COMPANY
P. O. Box 1452
Minneapolis, MN 55440-1452